

Nanjing MAXON O.E. TECH. CO., LTD

Add: 6/F, Building A3, Zidong International Creative Park, Zidong Road, Qixia District, Nanjing, China.

MX-530VX Dual-Band 2GHz & 5GHz 3x3 MIMO 802.11ac Wireless modules

Features

- Specifically designed for dual-band wireless access points
- Qualcomm® Atheros QCA9880
- Maximum output power: 2.4GHz: 21dBm , 5GHz: 20dBm (per chain)
- Compatible with IEEE 802.11ac and backward compatible with 802.11a/b/g/n/ac
- 3x3 MIMO, rate up to 1300Mbps
- Mini PCI Express connector
- Supports Spatial Multiplexing, Cyclic Delay Diversity (CDD), Low-Density Parity Check (LDPC) codes, Maximum Ratio Combining (MRC), - Space Time Block Code (STBC)
- Supports IEEE 802.11d, e, h, i, k, r, v timestamp and w standards
- Support Dynamic Frequency Selection (DFS)
- Cards are individually calibrated for the guaranteed quality



Specification

CHIP	QCA9880
REFERENCE DESIGN	XB140-020
HOST CONNECTOR	Mini PCI Express 1.1 standard
WORKING VOLTAGE	3.3V DC
ANTENNA CONNECTOR	3xU.FL
FREQUENCY RANGE	optional dual-band, 2.4GHz: 2.412GHz~2.472GHz or 5GHz: 5.150GHz~5.825GHz
CERTIFICATIONS	FCC & CE certification, REACH & RoHS compliance
MAXIMUM POWER CONSUMPTION	5W

MAXON

Link Of Your Think

Nanjing MAXON O.E. TECH. CO., LTD

TEL: 86-25-86380932

WEB: www.mxcomm.cn

E-MAIL: info@maxonc.com

Nanjing MAXON O.E. TECH. CO., LTD

Add: 6/F, Building A3, Zidong International Creative Park, Zidong Road, Qixia District, Nanjing, China.

SUPPORTED OPERATING SYSTEMS	Qualcomm® Atheros Wireless LAN Driver or OpenWrt/LEDE with ath10k wireless driver
MODULATION METHODS	OFDM: BPSK,QPSK,DBPSK, DQPSK,16-QAM,64-QAM,256-QAM
AMBIENT TEMPERATURE	Operating: -20°C~70°C / -4 ~ 158°F ; Storage: -40°C~90°C/ -40 ~ 194°F
AMBIENT HUMIDITY	Operating: 5% ~ 95%; Storage: maximum 90% (non-condensing)
ESD SENSITIVITY CLASSIFICATION	1C
DIMS (L×W×H)	50.9 × 30.0 × 3.2mm

Radio Frequency Parameters (2.4GHz)

	RATE	TRANSMIT POWER (PER CHAIN)	TOLERANCE	RECEIVE SENSITIVITY	TOLERANCE
2.4GHz 802.11b	1Mbps	21dBm	±1.5dB	-95dBm	±1.5dB
	2Mbps	21dBm	±1.5dB	-94dBm	±1.5dB
	5.5Mbps	21dBm	±1.5dB	-92dBm	±1.5dB
	11Mbps	20dBm	±1.5dB	-90dBm	±1.5dB
2.4GHz 802.11g	6Mbps	21dBm	±1.5dB	-94dBm	±1.5dB
	9Mbps	21dBm	±1.5dB	-93dBm	±1.5dB
	12Mbps	21dBm	±1.5dB	-92dBm	±1.5dB
	18Mbps	21dBm	±1.5dB	-90dBm	±1.5dB
	24Mbps	21dBm	±1.5dB	-88dBm	±1.5dB
	36Mbps	20dBm	±1.5dB	-85dBm	±1.5dB
	48Mbps	19dBm	±1.5dB	-81dBm	±1.5dB
	54Mbps	18dBm	±1.5dB	-75dBm	±1.5dB

MAXON

Link Of Your Think

Nanjing MAXON O.E. TECH. CO., LTD

TEL: 86-25-86380932

WEB: www.mxcomm.cn

E-MAIL: info@maxonc.com

Nanjing MAXON O.E. TECH. CO., LTD

Add: 6/F, Building A3, Zidong International Creative Park, Zidong Road, Qixia District, Nanjing, China.

	RATE	TRANSMIT POWER (PER CHAIN)	TOLERANCE	RECEIVE SENSITIVITY	TOLERANCE
2.4GHz 802.11n HT20	MCS 0	21dBm	±1.5dB	-93dBm	±1.5dB
	MCS 1	21dBm	±1.5dB	-91dBm	±1.5dB
	MCS 2	21dBm	±1.5dB	-89dBm	±1.5dB
	MCS 3	20dBm	±1.5dB	-84dBm	±1.5dB
	MCS 4	20dBm	±1.5dB	-83dBm	±1.5dB
	MCS 5	20dBm	±1.5dB	-78dBm	±1.5dB
	MCS 6	18dBm	±1.5dB	-78dBm	±1.5dB
	MCS 7	16dBm	±1.5dB	-73dBm	±1.5dB
2.4GHz 802.11n HT40	MCS 0	20dBm	±1.5dB	-92dBm	±1.5dB
	MCS 1	20dBm	±1.5dB	-88dBm	±1.5dB
	MCS 2	20dBm	±1.5dB	-85dBm	±1.5dB
	MCS 3	19dBm	±1.5dB	-82dBm	±1.5dB
	MCS 4	19dBm	±1.5dB	-79dBm	±1.5dB
	MCS 5	19dBm	±1.5dB	-75dBm	±1.5dB
	MCS 6	18dBm	±1.5dB	-75dBm	±1.5dB
	MCS 7	16dBm	±1.5dB	-71dBm	±1.5dB

MAXON

Link Of Your Think

Nanjing MAXON O.E. TECH. CO., LTD

TEL: 86-25-86380932

WEB: www.mxcomm.cn

E-MAIL: info@maxonc.com

Nanjing MAXON O.E. TECH. CO., LTD

Add: 6/F, Building A3, Zidong International Creative Park, Zidong Road, Qixia District, Nanjing, China.

Radio Frequency Parameters (5.8GHz)

	RATE	TRANSMIT POWER (PER CHAIN)	TOLERANCE	RECEIVE SENSITIVITY	TOLERANCE
5GHz 802.11a	6Mbps	20dBm	±1.5dB	-94dBm	±1.5dB
	9Mbps	20dBm	±1.5dB	-94dBm	±1.5dB
	12Mbps	20dBm	±1.5dB	-92dBm	±1.5dB
	18Mbps	20dBm	±1.5dB	-90dBm	±1.5dB
	24Mbps	20dBm	±1.5dB	-86dBm	±1.5dB
	36Mbps	18dBm	±1.5dB	-84dBm	±1.5dB
	48Mbps	16dBm	±1.5dB	-81dBm	±1.5dB
	54Mbps	15dBm	±1.5dB	-77dBm	±1.5dB
5GHz 802.11n/ac VHT20	MCS 0	19dBm	±1.5dB	-93dBm	±1.5dB
	MCS 1	19dBm	±1.5dB	-90dBm	±1.5dB
	MCS 2	19dBm	±1.5dB	-87dBm	±1.5dB
	MCS 3	18dBm	±1.5dB	-83dBm	±1.5dB
	MCS 4	18dBm	±1.5dB	-80dBm	±1.5dB
	MCS 5	17dBm	±1.5dB	-77dBm	±1.5dB
	MCS 6	16dBm	±1.5dB	-74dBm	±1.5dB
	MCS 7	14dBm	±1.5dB	-73dBm	±1.5dB
	MCS 8	13dBm	±1.5dB	-70dBm	±1.5dB

MAXON

Link Of Your Think

Nanjing MAXON O.E. TECH. CO., LTD

TEL: 86-25-86380932

WEB: www.mxcomm.cn

E-MAIL: info@maxonc.com

Nanjing MAXON O.E. TECH. CO., LTD

Add: 6/F, Building A3, Zidong International Creative Park, Zidong Road, Qixia District, Nanjing, China.

	RATE	TRANSMIT POWER (PER CHAIN)	TOLERANCE	RECEIVE SENSITIVITY	TOLERANCE
5GHz 802.11n/ac VHT40	MCS 0	18dBm	±1.5dB	-90dBm	±1.5dB
	MCS 1	18dBm	±1.5dB	-88dBm	±1.5dB
	MCS 2	18dBm	±1.5dB	-85dBm	±1.5dB
	MCS 3	17dBm	±1.5dB	-82dBm	±1.5dB
	MCS 4	17dBm	±1.5dB	-79dBm	±1.5dB
	MCS 5	16dBm	±1.5dB	-75dBm	±1.5dB
	MCS 6	15dBm	±1.5dB	-73dBm	±1.5dB
	MCS 7	14dBm	±1.5dB	-73dBm	±1.5dB
	MCS 8	13dBm	±1.5dB	-69dBm	±1.5dB
	MCS 9	13dBm	±1.5dB	-66dBm	±1.5dB
5GHz 802.11ac VHT80	MCS 0	18dBm	±1.5dB	-88dBm	±1.5dB
	MCS 1	18dBm	±1.5dB	-86dBm	±1.5dB
	MCS 2	18dBm	±1.5dB	-84dBm	±1.5dB
	MCS 3	17dBm	±1.5dB	-81dBm	±1.5dB
	MCS 4	17dBm	±1.5dB	-77dBm	±1.5dB
	MCS 5	16dBm	±1.5dB	-74dBm	±1.5dB
	MCS 6	15dBm	±1.5dB	-73dBm	±1.5dB
	MCS 7	14dBm	±1.5dB	-70dBm	±1.5dB
	MCS 8	13dBm	±1.5dB	-67dBm	±1.5dB
	MCS 9	13dBm	±1.5dB	-62dBm	±1.5dB

MAXON

Link Of Your Think

Nanjing MAXON O.E. TECH. CO., LTD

TEL: 86-25-86380932

WEB: www.mxcomm.cn

E-MAIL: info@maxonc.com

Nanjing MAXON O.E. TECH. CO., LTD

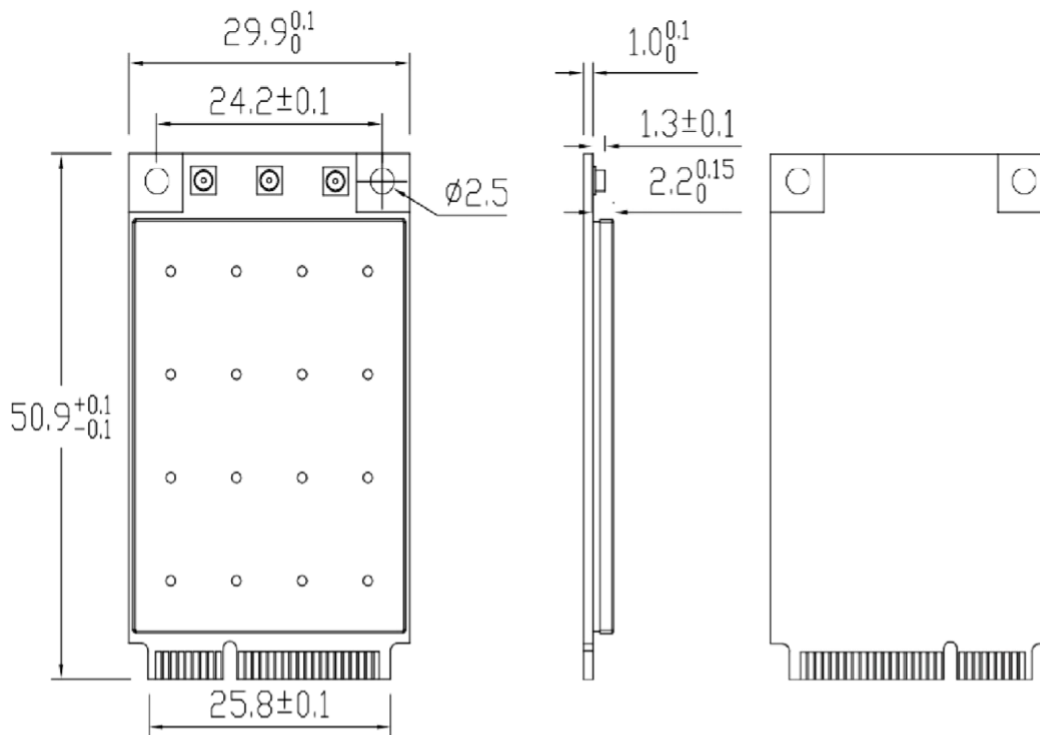
Add: 6/F, Building A3, Zidong International Creative Park, Zidong Road, Qixia District, Nanjing, China.

Connector

U.FL Connector



Dimensions



MAXON

Link Of Your Think

Nanjing MAXON O.E. TECH. CO., LTD

TEL: 86-25-86380932

WEB: www.mxcomm.cn

E-MAIL: info@maxonc.com